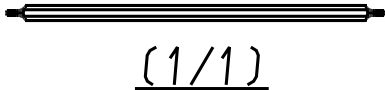
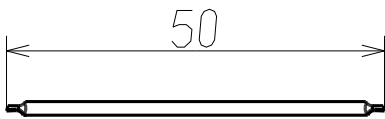
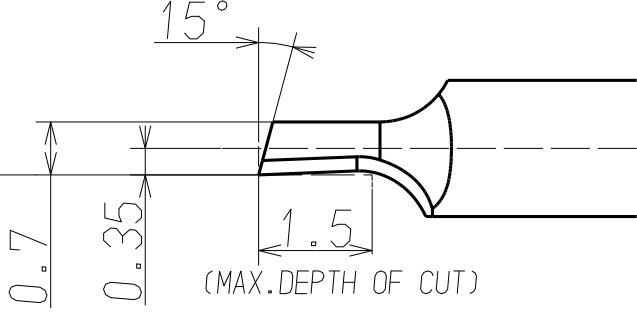
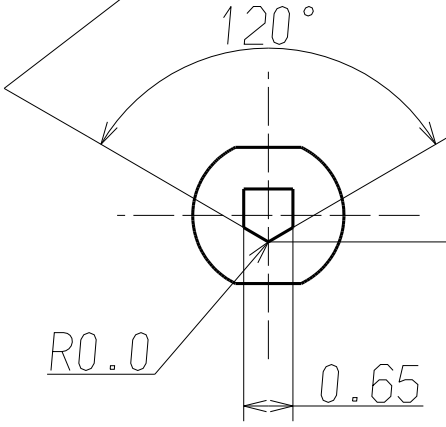
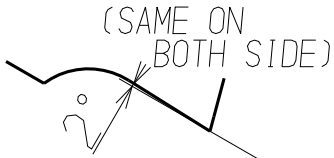
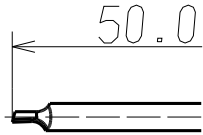
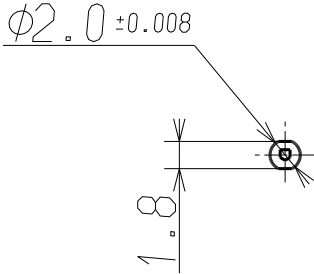


3RD ANGLE
PROJECTION



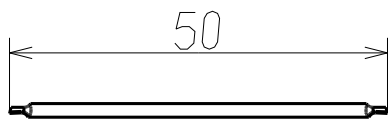
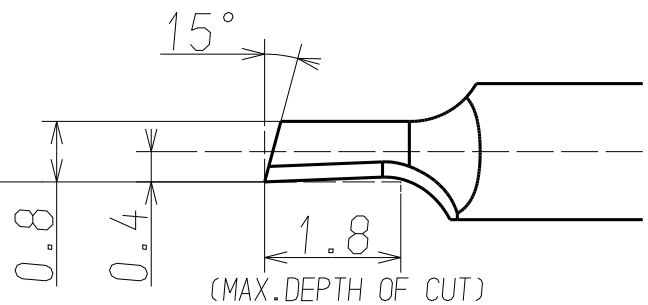
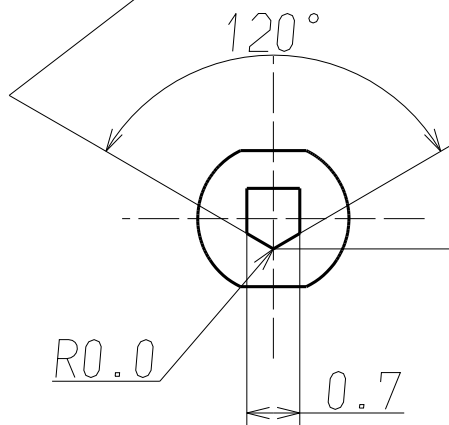
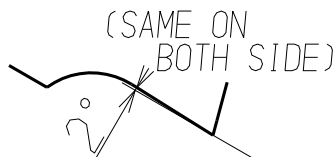
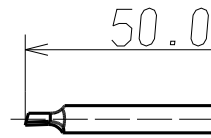
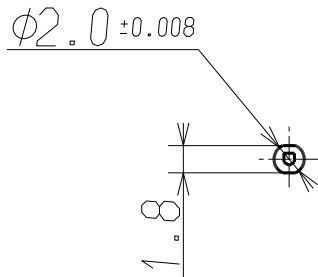
DETAIL OF CUTTING EDGE(10/1)

| | | | | | | | |
|-----|---------|-------------|----------|------------------------|---------|----------|----------|
| | | | | MATERIAL | | SCALE | |
| | | | | TM4 | | 2/1 | |
| | | | | REMARKS | | UNIT | |
| | | | | AF1.0~1.1mm | | MM | |
| | | | | MAX.DEPTH OF CUT 1.5mm | | | |
| | | | | ASSEMBLY No, | | | |
| 1 | 20.1.9 | RE-DRAW | TUTIMOTO | INSPECTION | CHECKED | DESIGN | DRAWN |
| | 19.9.10 | DRAW | TUTIMOTO | 20.1.9 | 20.1.9 | 20.1.9 | 20.1.9 |
| SYM | DATE | DESCRIPTION | BY | ISOBE | OGAWA | TUTIMOTO | TUTIMOTO |

| | |
|------------------|---------------------------|
| CUSTOMER | |
| CUSTOMER DWG No, | |
| TITLE | NTK |
| | for BORING INSERT |
| NTK DWG No, | -TM4 TEST-CSD |
| | 14-0179FN-1 |
| | NGK SPARK PLUG CO.,LTD. |
| | NTK CUTTING TOOL DIVISION |

DO not show 3rd party without prior consent from NTK

3RD ANGLE
PROJECTION



(1/1)

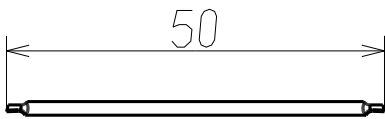
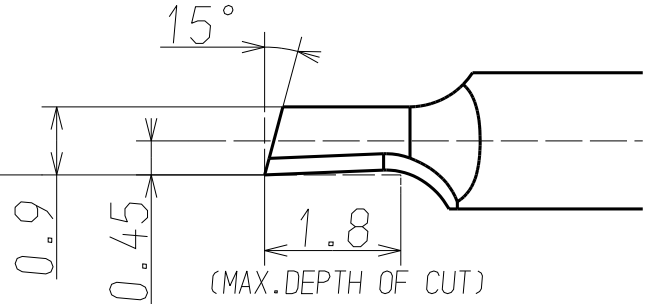
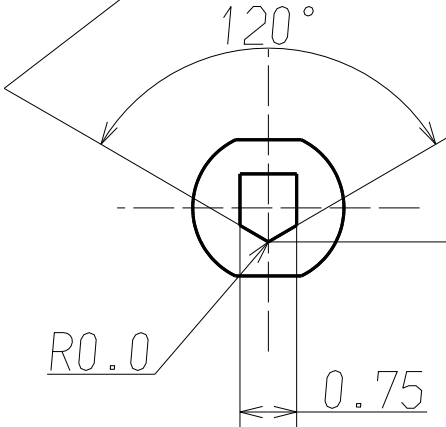
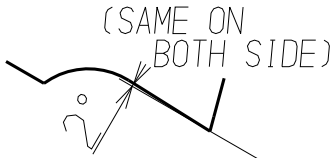
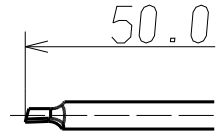
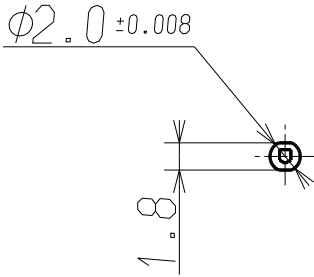
DETAIL OF CUTTING EDGE(10/1)

| | | | | | | | |
|-----|----------|-------------|----------|-----------------|---------------------------------------|--------------------|--------------------|
| | | | | MATERIAL | SCALE | 2/1 | |
| | | | | TM4 | UNIT | MM | |
| | | | | REMARKS | AF1.1~1.2mm MAX.DEPTH OF CUT 1.8mm | | |
| | | | | ASSEMBLY No. | | | |
| 1 | 20.1.9 | RE-DRAW | TUTIMOTO | INSPECTION | CHECKED | DESIGN | DRAWN |
| | 19.12.19 | DRAW | TUTIMOTO | 20.1.9 ISOBE | 20.1.9 OGAWA | 20.1.9 TUTIMOTO | 20.1.9 TUTIMOTO |
| SYM | DATE | DESCRIPTION | BY | | | | |

| | |
|---------------------|--|
| CUSTOMER | |
| CUSTOMER DWG No. | |
| TITLE | NTK for BORING INSERT |
| NTK DWG No. | -TM4 TEST-CSD 14-0180FN-1 |
| | NGK SPARK PLUG CO.,LTD. NTK CUTTING TOOL DIVISION |

DO not show 3rd party without prior consent from NTK

3RD ANGLE
PROJECTION



(1/1)

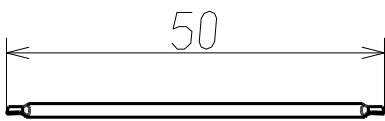
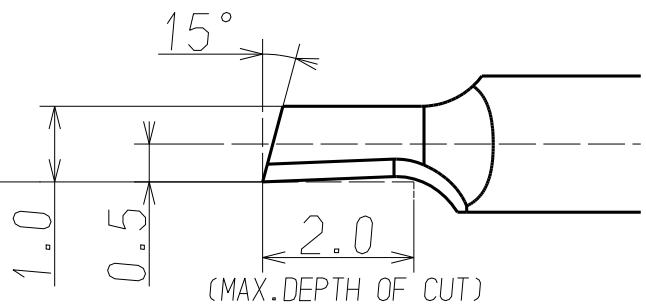
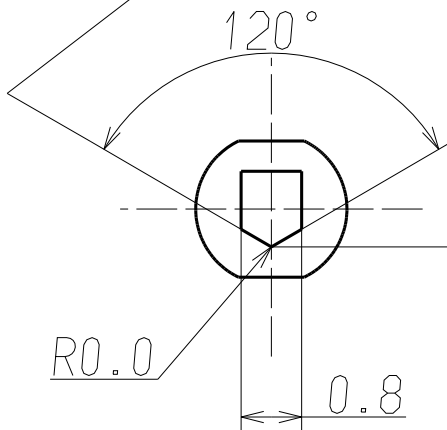
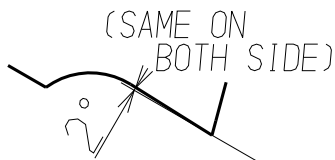
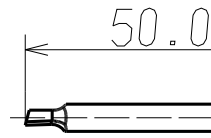
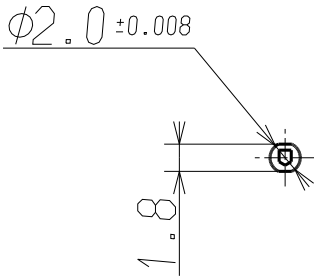
DETAIL OF CUTTING EDGE(10/1)

| | | | | | | | |
|-----|----------|-------------|----------|-----------------|---------------------------------------|--------------------|--------------------|
| | | | | MATERIAL | SCALE | 2/1 | |
| | | | | TM4 | UNIT | MM | |
| | | | | REMARKS | AF1.2~1.3mm MAX.DEPTH OF CUT 1.8mm | | |
| | | | | ASSEMBLY No. | | | |
| 1 | 20.1.9 | RE-DRAW | TUTIMOTO | INSPECTION | CHECKED | DESIGN | DRAWN |
| | 19.12.19 | DRAW | TUTIMOTO | 20.1.9 ISOBE | 20.1.9 OGAWA | 20.1.9 TUTIMOTO | 20.1.9 TUTIMOTO |
| SYM | DATE | DESCRIPTION | BY | | | | |

| | |
|------------------|--|
| CUSTOMER | |
| CUSTOMER DWG No. | |
| TITLE | NTK for BORING INSERT |
| NTK DWG No. | -TM4 TEST-CSD 14-0181FN-1 |
| | NGK SPARK PLUG CO.,LTD. NTK CUTTING TOOL DIVISION |

DO not show 3rd party without prior consent from NTK

3RD ANGLE
PROJECTION



(1/1)

DETAIL OF CUTTING EDGE(10/1)

| | | | | | | | |
|-----|---------|-------------|----------|-----------------|---------------------------------------|--------------------|--------------------|
| | | | | MATERIAL | SCALE | 2/1 | |
| | | | | TM4 | UNIT | MM | |
| | | | | REMARKS | AF1.3~1.4mm MAX.DEPTH OF CUT 2.0mm | | |
| | | | | ASSEMBLY No. | | | |
| 1 | 20.1.9 | RE-DRAW | TUTIMOTO | INSPECTION | CHECKED | DESIGN | DRAWN |
| | 19.9.10 | DRAW | TUTIMOTO | 20.1.9 ISOBE | 20.1.9 OGAWA | 20.1.9 TUTIMOTO | 20.1.9 TUTIMOTO |
| SYM | DATE | DESCRIPTION | BY | | | | |

| | |
|---------------------|--|
| CUSTOMER | |
| CUSTOMER DWG No. | |
| TITLE | NTK for BORING INSERT |
| NTK DWG No. | -TM4 TEST-CSD 14-0182FN-1 |
| | NGK SPARK PLUG CO.,LTD. NTK CUTTING TOOL DIVISION |

DO not show 3rd party without prior consent from NTK